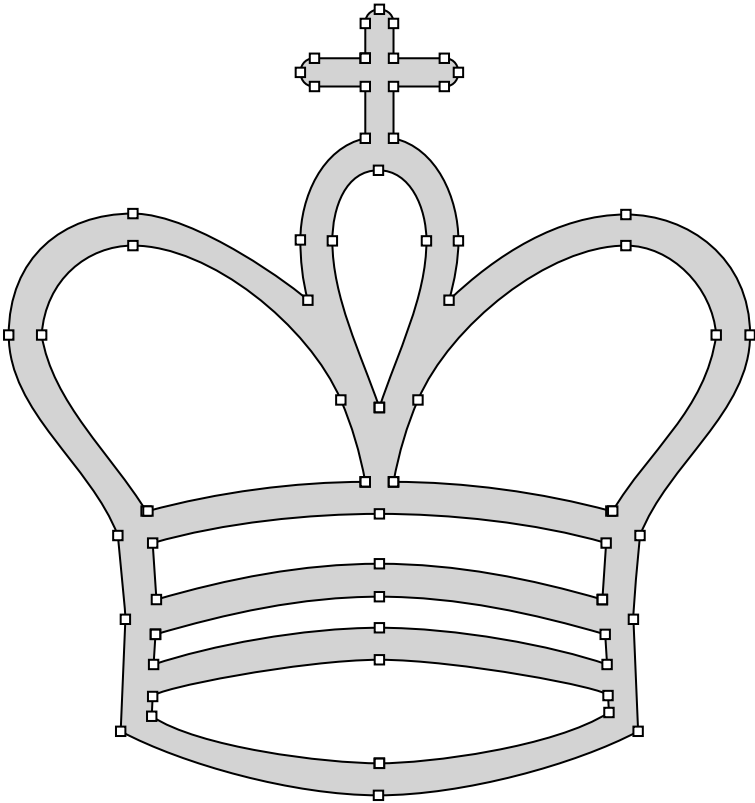


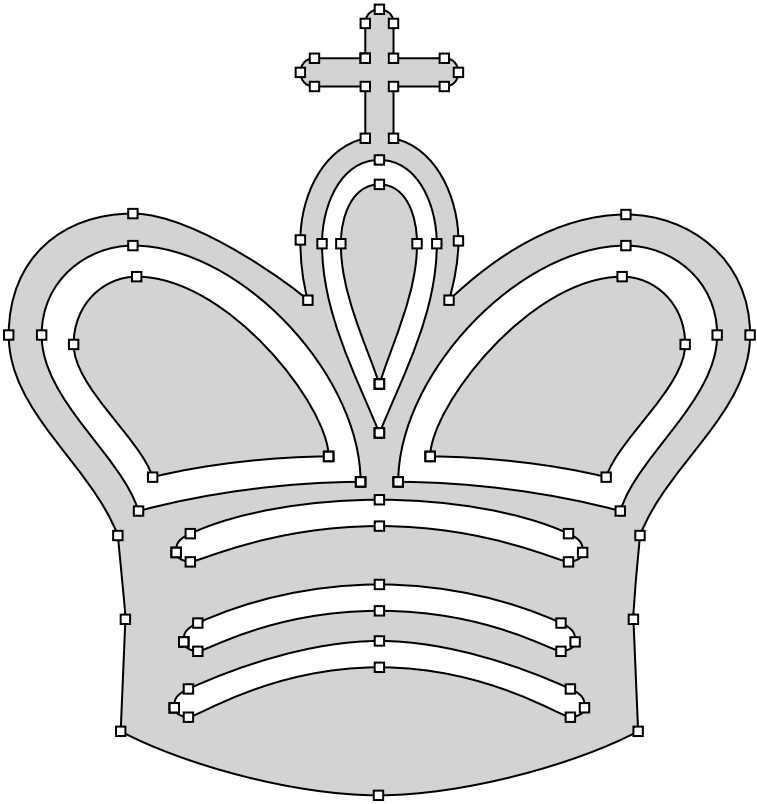
WHITE CHESS KING

U+2654



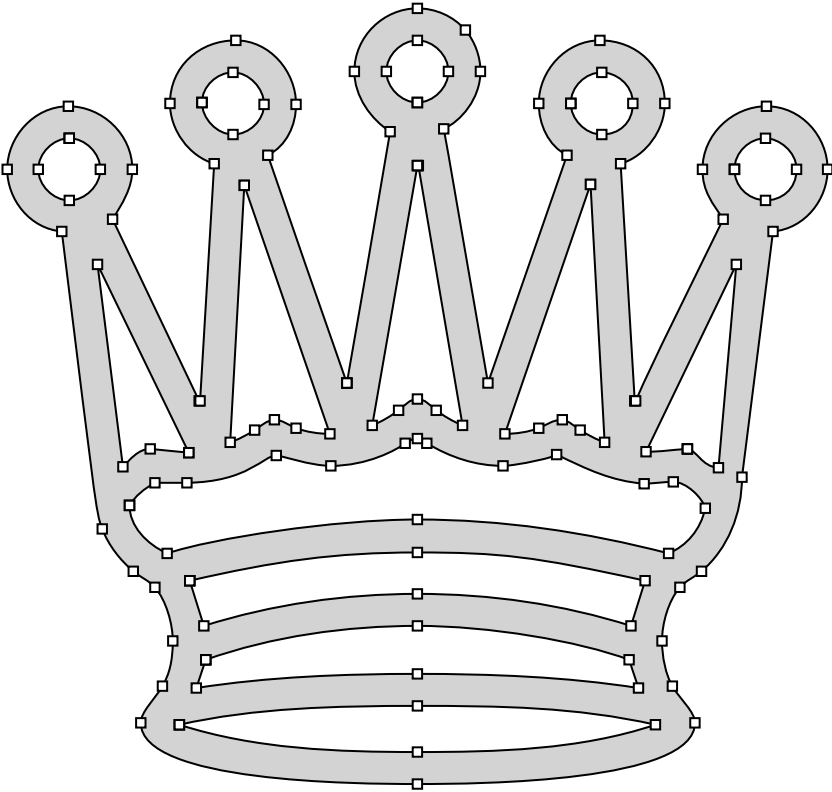
BLACK CHESS KING

U+265A



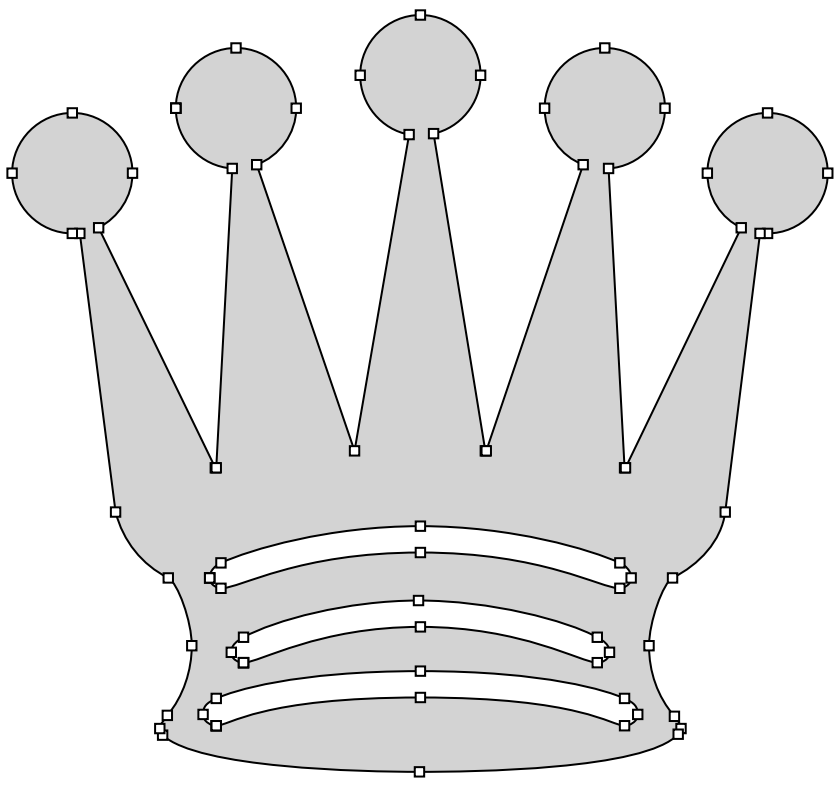
WHITE CHESS QUEEN

U+2655



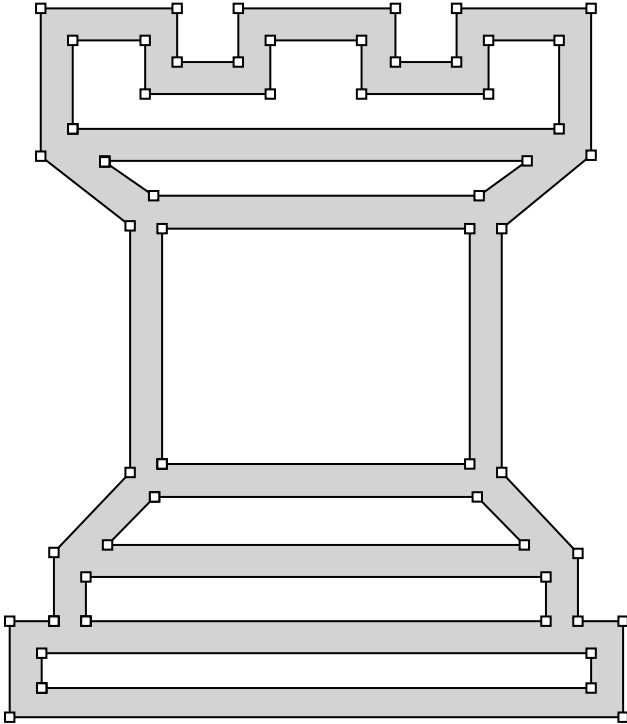
BLACK CHESS QUEEN

U+265B



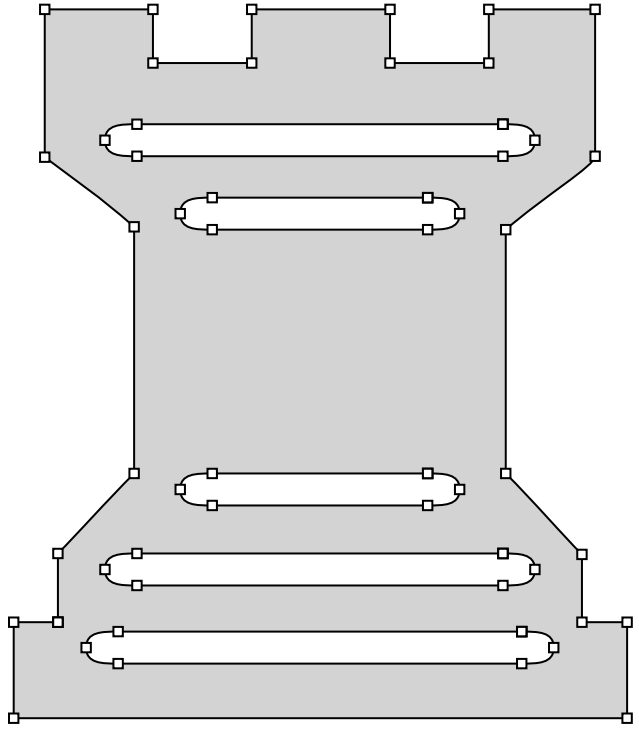
WHITE CHESS ROOK

U+2656



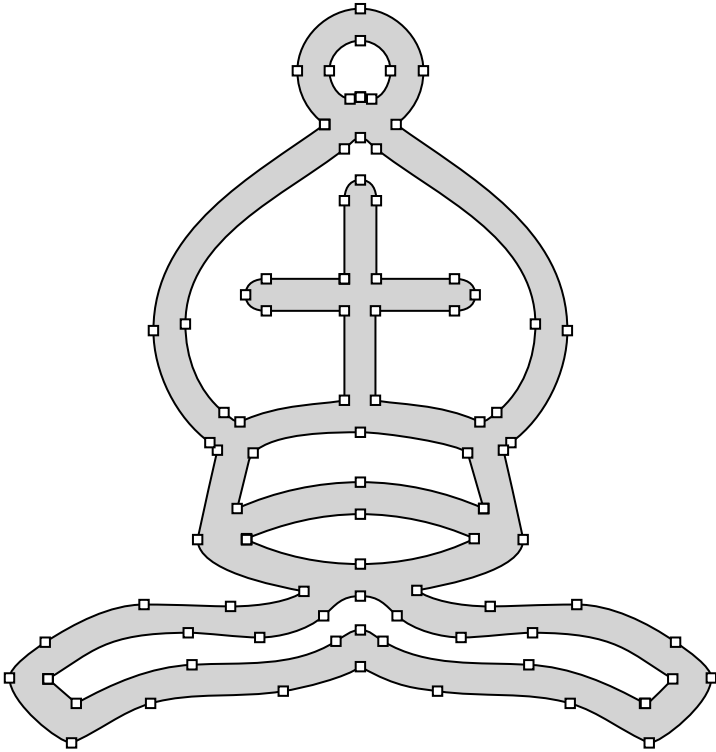
BLACK CHESS ROOK

U+265C



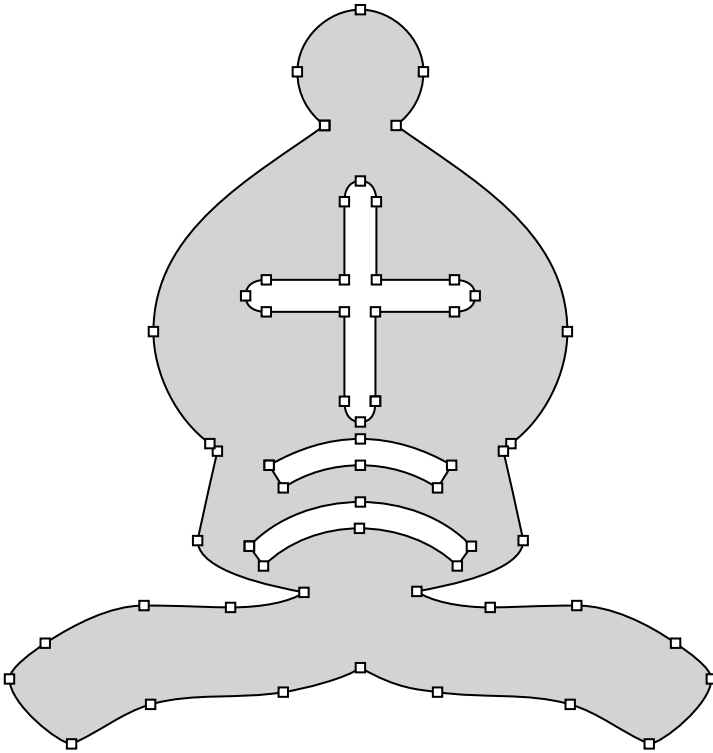
WHITE CHESS BISHOP

U+2657



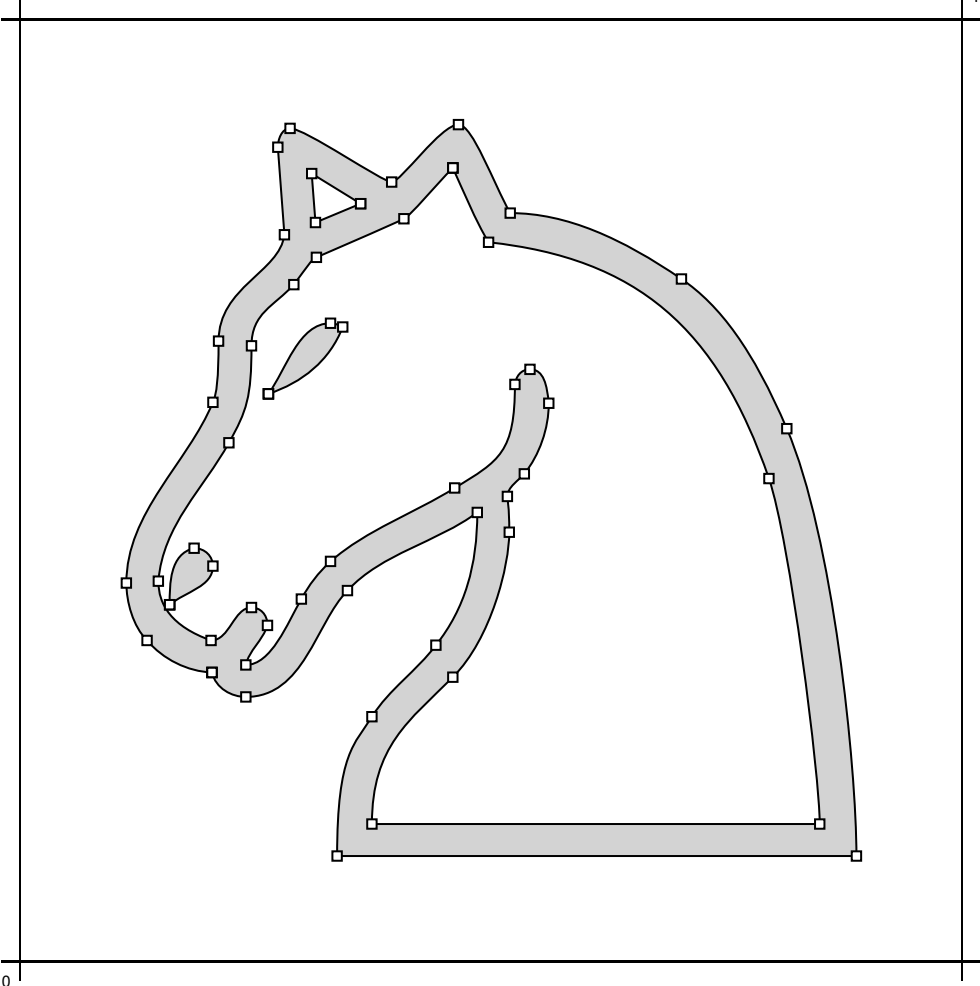
BLACK CHESS BISHOP

U+265D



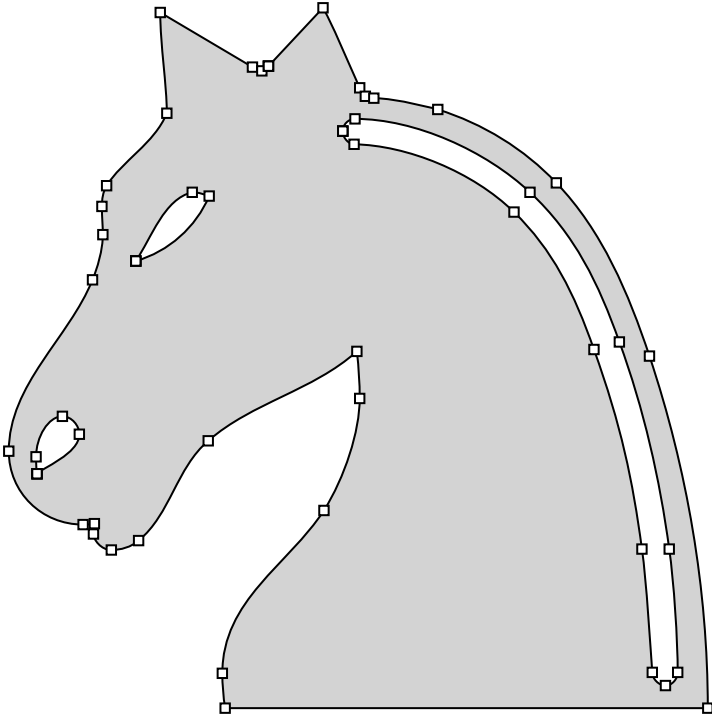
WHITE CHESS KNIGHT

U+2658



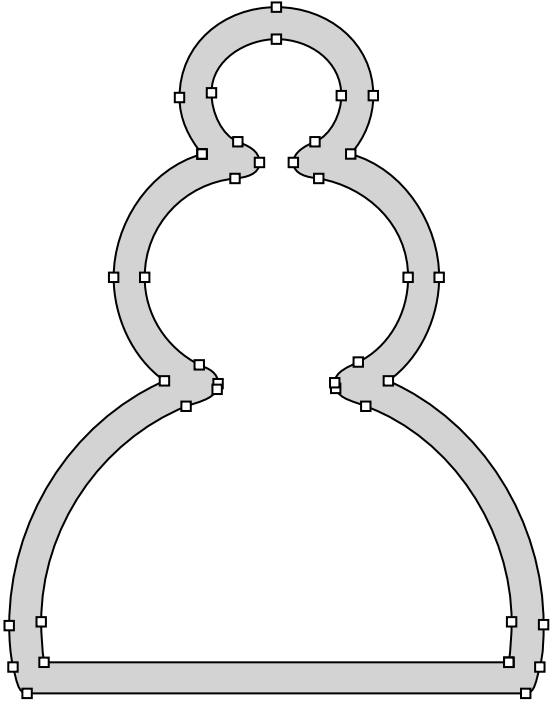
BLACK CHESS KNIGHT

U+265E



WHITE CHESS PAWN

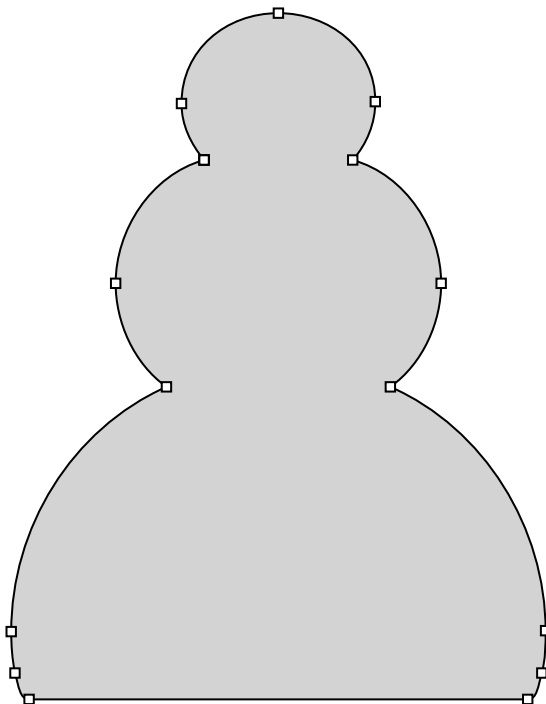
U+2659



BLACK CHESS PAWN

U+265F

1000



0